

MULTI SCREEN®

MS 36 Pro



April, 21st 2026



**up to 100 m³/h
screening capacity**



7 t
Maximum weight



**Double trommel
technology**



**Interchangeable
wire screen**



**Tested
safety system**



**Electrical drive
optional external
power generator**

Tracked chassis

The versatile one

- ✓ simplified operation
- ✓ improved safety
- ✓ modern design
- ✓ Containerized
- ✓ easier to repair and maintain

Trommel length
3,482 / 4,372 mm

Hopper
Volume 2.2 m³
Loading width 3,210 mm

Weight
max. 7,000 kg

Transportation
Tracked chassis

Trommel diameter
1,300 mm

Total screening area
ca. 23 m²

Drive
**electric (32 A), optional
power generator**

Transport measurements
(LxWxH)
8,058 x 2,540 x 3,190 mm



Nobelstr. 11
03238 Massen-Niederlausitz

+49 3531 7906-0
info@zemmler.de

www.zemmler.de/en



Advantages

- ✓ **Pure-electric, low-maintenance drive**
- ✓ **Modern mobile control**
instead of control cabinet, especially suitable for harsh environments
- ✓ **Easy commissioning & installation**
- ✓ **Telemetry & GPS**
incl. faster access for dealer & manufacturer service, real-time monitoring & remote maintenance
- ✓ **New operating concept**
intuitive user guidance with clear display of all relevant information at a glance
- ✓ **Predefined programs**
- ✓ **Storage of programs**
for repeatable processes
- ✓ **New touch display**
changed position: to the rear and higher
- ✓ **Modern, dark design**
(„Dark Theme“) for better readability
- ✓ **Decentralized frequency inverter**
for improved cooling of the drives (avoidance of overheating problems)
- ✓ **Plug-and-Play-Design**
All belts & electrical elements
- ✓ **Load cut-off Belt feeder**
Overload cut-off
- ✓ **Longer service life / corrosion-resistant**
no perforated plates / sheet metal doublings, no (internally) unpainted hollow profiles
- ✓ **Variable spare parts**
Drum motors, chassis etc. are available with a multi-supplier strategy – less dependency in the event of supply bottlenecks
- ✓ **New drive with belt**
smoother running and maintenance-free up to 10,000 h (no lubrication of the chain, no changing of chain or sprocket)
- ✓ **Service plus**
Plug-and-play cabling, complete belt removal in 3 steps
- ✓ **Safer**
Intervention protection, shutdown, position of the display (rear)
- ✓ **Easier to maintain**
Large doors for better access
- ✓ **Container-compatible**
Shipping/transport/containerization possible if the belts are dismantled

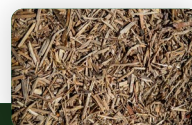
Processable materials

Coal
Excavated soil
Waste
Clinker
Stones

Rubbish
Glass
Plaster
Building rubble
Green waste

Wood
Compost
Shredded wood waste

and many more



Wood chips



Topsoil



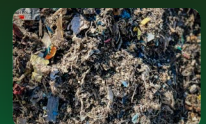
Gravel



Sand



Grit / chippings



Substitute fuels

Technical Description

- ✓ **Hopper**
 - Volume:** approx. 2.2 m³
 - Loading height:** 2,356 mm
 - Loading width:** 3,210 mm
- ✓ **Feeding belt**
 - Belt width:** 800 mm
 - Belt length:** approx. 2,900 mm
 - Belt type:** Glattgurt (ribbed belt: optional)
 - Speed:** adjustable
- ✓ **Double trommel**
 - Inner screening surface:** 11 m²
 - Outer screening surface:** 12 m²
 - Trommel diameter:** 1,000 mm (inner)
 - Trommel diameter:** 1,300 mm (outer)
 - Length:** 3,482 / 4,372 mm
 - Rotational speed:** adjustable
 - Trommel drive:** directly via pulley and belt, maintenance-free (no lubrication, no need to replace chain or sprocket)
- ✓ **Mesh sizes**
 - Inner:** 75 x 170 mm (standard)
 - Outer:** exchangeable wire screens 2 - 80 mm
 - Screen change function by means of remote control
- ✓ **Cleaning brush**
 - Diameter:** 250 mm with own drive
- ✓ **Conveyor belt fine fraction**
 - Belt width:** 600 mm, electrically foldable
 - Discharge side:** Direction of travel left
 - Discharge height:** 2,800 mm
- ✓ **Conveyor belt middle fraction**
 - Belt width:** 600 mm, electrically foldable
 - Discharge side:** Direction of travel right
 - Discharge height:** 2,800 mm
- ✓ **Conveyor belt coarse fraction**
 - Belt width:** 800 mm, electrically foldable
 - Discharge side:** Back
 - Discharge height:** 1,560 mm
- ✓ **3 fractions**
 - Fine fraction:** 2 - 80 mm, on demand
 - Middle fraction:** 2 to 80 mm or Standard 75 x 170 mm
 - Coarse fraction:** depending on the mesh size of the center fraction, standard > 170 mm
- ✓ **Power**
 - Electric drive,** 32A
 - optional** power generator (not included in the basic price)
- ✓ **Transport dimensions**
 - Length:** 8,058 mm
 - Width:** 2,540 mm
 - Height:** 3,190 mm
- ✓ **Container transport dimensions**
 - Length:** 7,913 mm
 - Width:** 2,215 mm
 - Height:** 2,550 mm
- ✓ **Working dimensions**
 - Length:** 9,827 mm
 - Width:** 2,215 mm
 - Height:** 2,550 mm
- ✓ **Screening capacity**
 - up to 100 m³/h,** depending on the material properties
- ✓ **Weight**
 - Max. 7,000 kg**
- ✓ **Color / Coatings**
 - Polyurethane one-coat topcoat
 - Engine cover and side covers:** RAL 6001 green
 - Hopper, chassis, screening trommel:** RAL 7022 grey
- ✓ **Telemetry**

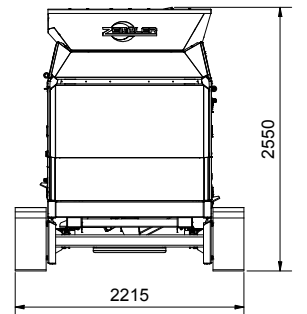
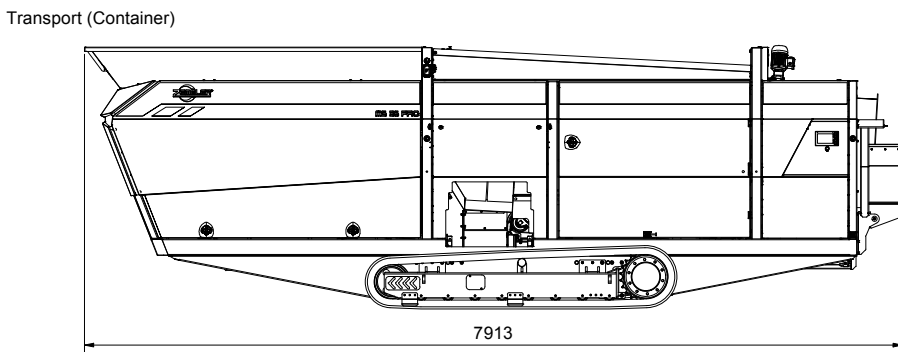
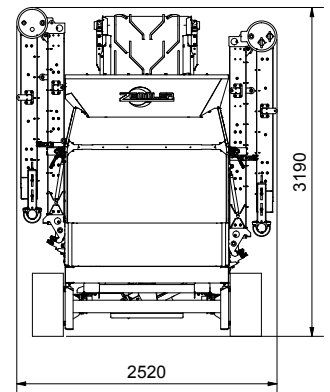
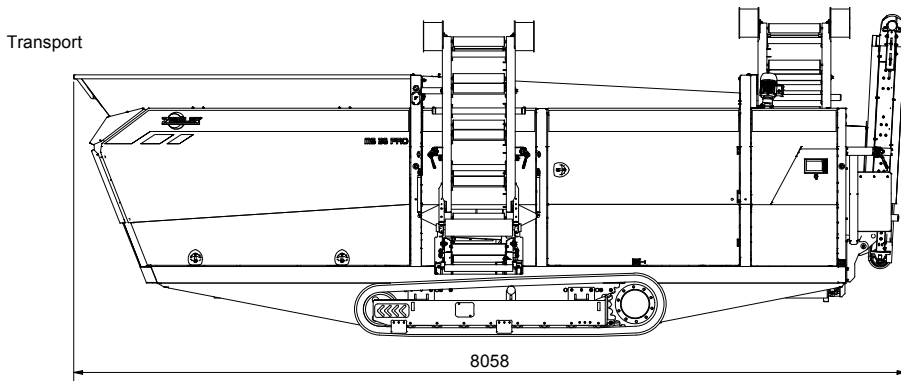
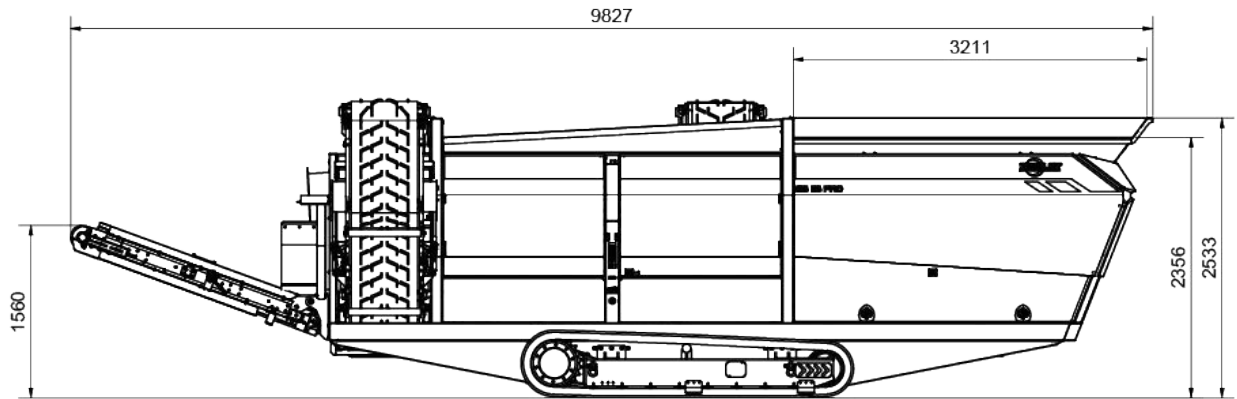
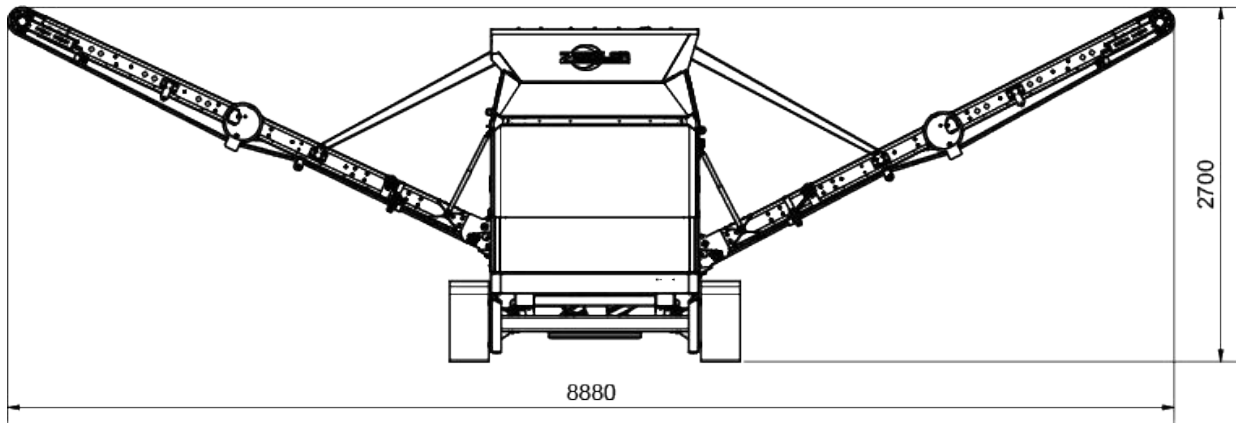


Illustration may contain extra charge options. All details are subject to technical modifications and future developments. Further distribution and any kind of publication is permitted only with written approval of the Zemmler Siebanlagen GmbH.